

# LPED

## COMPRESSION LOAD CELL FOR FOOT BRAKE

LAUMAS®



Manufactured according to OIML R60 standards

Capacity 100 kg



- ALUMINUM
- COMBINED ERROR  $\leq \pm 0.08\%$
- PROTECTION CLASS IP65
- FLEXIBLE CABLE

CAPACITY	kg					NET WEIGHT (kg)	CODE
	<b>100</b>	•	•	•		0.4	LPED100
		ON REQUEST					

### CERTIFICATIONS

Complies with the Eurasian Custom Union standards

CERTIFICATIONS ON REQUEST



Accredia traceable calibration report



ATEX II 1GD (zone 0-1-2-20-21-22)



IECEx (zone 0-1-2-20-21-22)



Complies with the Eurasian Custom Union standards for use in potentially explosive atmospheres

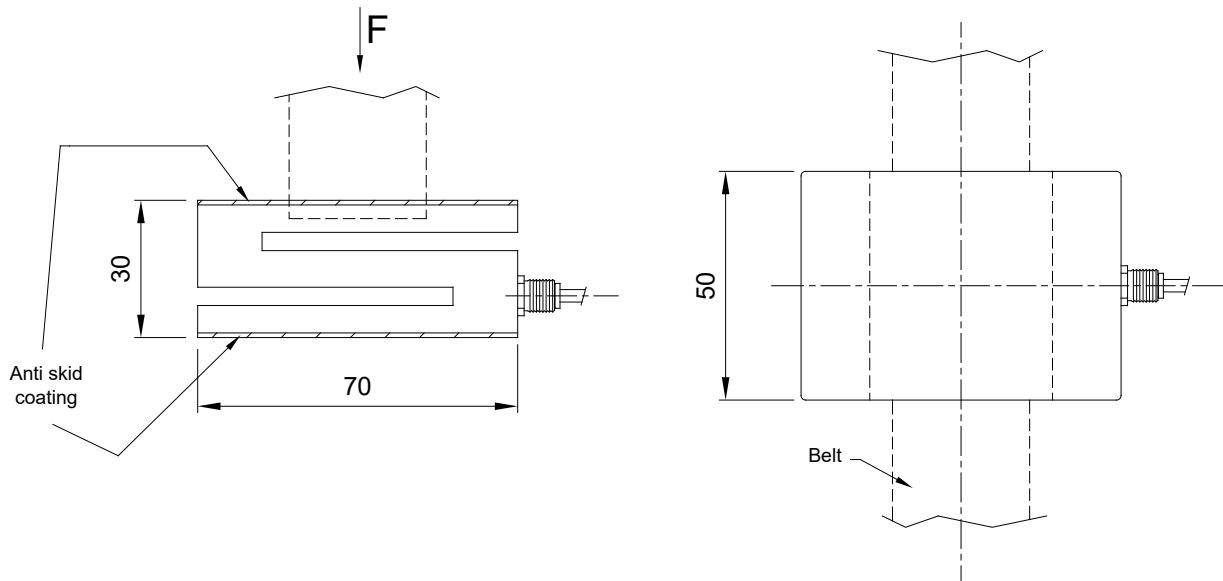
### OPTIONS ON REQUEST

#### DESCRIPTION



Two redundant strain gauges Wheatstone bridges (350  $\Omega$ ) with two output cables; for dual safety systems

### DIMENSIONS (mm)

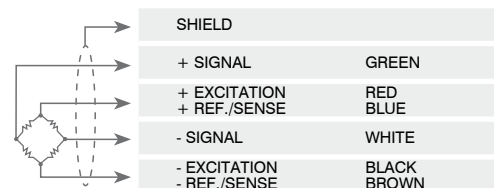


### TECHNICAL FEATURES

Material	Aluminum		
Nominal load (E max)	100 kg		
Combined error	≤ ±0.08%		
Protection class	IP65		
Rated output	1 mV/V ±0.2%	Input resistance	350 Ω ±50
Temperature effect on zero	0.005% °C	Output resistance	350 Ω ±5
Temperature effect on span	0.003% °C	Zero balance	±1%
Compensated temperature range	-10 °C / +50 °C	Insulation resistance	>5000 MΩ
Operating temperature range	-20 °C / +70 °C	Safe overload (% of full scale)	150%
Creep at nominal load in 30 minutes	0.03%	Ultimate overload (% of full scale)	300%
Max supply voltage without damage	15 V	Deflection at nominal load	0.25 mm

### ELECTRICAL CONNECTIONS

Cable length	2 m
Cable diameter	5 mm
Cores	6 x 0.25 mm <sup>2</sup>



The Company reserves the right to make changes to the technical data, drawings and images without notice.