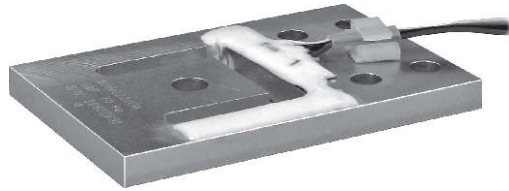




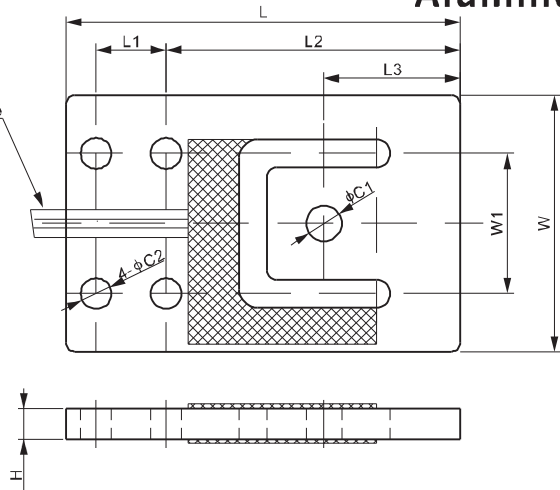
Wixom Office
269-209-7291
sales@ptrsales.com
Grand Rapids Office
616-446-5778

FLC-01 Aluminum

PLANAR BEAM



4 conductor ribbon cable
1.5m length



DIMENSIONS

| RATED CAPACITY | C1 | C2 | H | L | L1 | L2 | L3 | W | W1 |
|---|------|------|------|-------|------|------|------|------|------|
| kg/mm | | | | | | | | | |
| 3.75 | 5.1 | 5.1 | 2.0 | 70.0 | 14.0 | 51.1 | 23.1 | 39.0 | 27.8 |
| 7.5 | 5.1 | 5.1 | 2.3 | 70.0 | 14.0 | 51.1 | 23.1 | 39.0 | 27.8 |
| 15 | 7.6 | 5.1 | 4.1 | 70.0 | 14.0 | 51.1 | 23.1 | 39.0 | 27.8 |
| 37.5 | 7.6 | 6.6 | 4.8 | 76.2 | 15.0 | 55.2 | 25.9 | 44.5 | 30.0 |
| 75 | 7.6 | 6.6 | 6.5 | 84.5 | 15.0 | 63.0 | 29.2 | 54.8 | 30.0 |
| 150 | 9.1 | 8.1 | 7.9 | 107.3 | 22.9 | 76.6 | 30.7 | 69.9 | 44.5 |
| 375 | 9.1 | 9.8 | 12.7 | 119.4 | 25.4 | 84.9 | 32.3 | 76.1 | 50.8 |
| lb/inches (conversion of above dimensions) | | | | | | | | | |
| 8.27 | 0.20 | 0.20 | 0.08 | 2.76 | 0.55 | 2.01 | 0.91 | 1.54 | 1.10 |
| 16.5 | 0.20 | 0.20 | 0.09 | 2.76 | 0.55 | 2.01 | 0.91 | 1.54 | 1.10 |
| 33 | 0.30 | 0.20 | 0.16 | 2.76 | 0.55 | 2.01 | 0.91 | 1.54 | 1.10 |
| 82.7 | 0.30 | 0.26 | 0.19 | 3.00 | 0.59 | 2.17 | 1.02 | 1.75 | 1.18 |
| 165 | 0.30 | 0.26 | 0.26 | 3.33 | 0.59 | 2.48 | 1.15 | 2.16 | 1.18 |
| 331 | 0.36 | 0.32 | 0.31 | 4.22 | 0.90 | 3.02 | 1.21 | 2.75 | 1.75 |
| 827 | 0.36 | 0.39 | 0.50 | 4.70 | 1.00 | 3.34 | 1.27 | 3.00 | 2.00 |

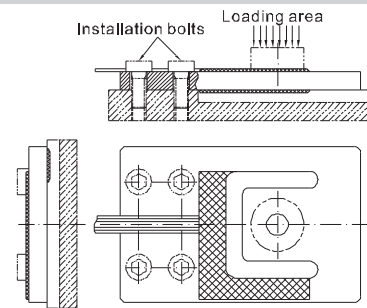
SPECIFICATIONS

| | | | |
|--|------------------------|----------------------------------|--|
| Full Scale Output | 0.9 mV/V \pm 0.1% | Element Material | Aluminum |
| Calibration in mV/V/Ω | \pm 0.05% | Recommended Excitation | 10V (15V Maximum) |
| Zero Balance | \pm 0.02 mV/V | Insulation Resistance | $>2 [50V DC] G\Omega$ |
| Non-linearity | $\leq \pm 0.020\%$ | Nominal Temperature Range | -10°C to 40°C / 14°F to 104°F |
| Repeatability | $\leq \pm 0.017\%$ | Safe Overload | 150% of full scale |
| Hysteresis Error | $\leq \pm 0.015\%$ | Breaking Overload | 300% of full scale |
| Creep in 30 min. | $\leq \pm 0.015\%$ | Seal Type / IP Rating | Environmentally Sealed / IP65 |
| Input Resistance | 1190 Ω \pm 10 | Cable Color Code | Exc+ Red Exc- Black Sig+ Green Sig- White |
| Output Resistance | 1000 Ω \pm 10 | | |

PART NUMBER

| Rated Capacity | Part No. | Shipping Weight (kg) Approx. |
|----------------|--------------------|------------------------------|
| 3.75kg..... | FLC-01-3.75kg..... | 0.1 |
| 7.5kg..... | FLC-01-7.5kg..... | 0.1 |
| 15kg..... | FLC-01-15kg..... | 0.1 |
| 37.5kg..... | FLC-01-37.5kg..... | 0.1 |
| 75kg..... | FLC-01-75kg..... | 0.1 |
| 150kg..... | FLC-01-150kg..... | 0.2 |
| 375kg..... | FLC-01-375kg..... | 0.4 |

INSTALLATION DRAWING



Lo



Wixom Office
269-209-7291
sales@ptrsales.com
Grand Rapids Office
616-446-5778

18