

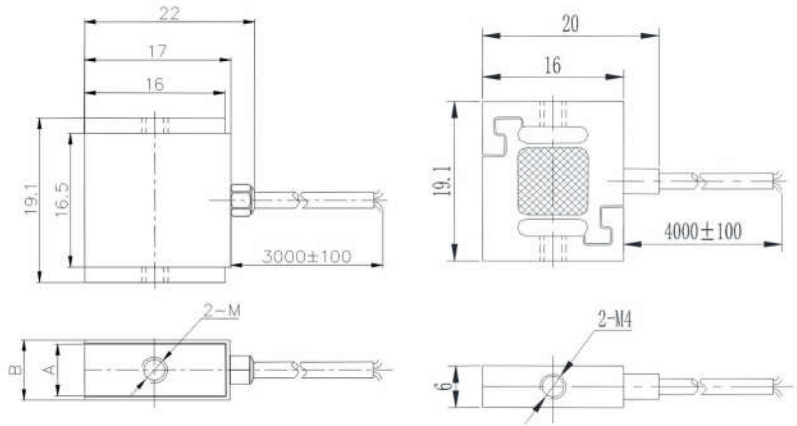


Wixom Office
 269-209-7291
 sales@ptrsales.com
Grand Rapids Office
 616-446-5778

Model: LMST

Miniature S-Type Load Cell

Capacities: 50 N (11 lb), 100 N (22 lb), 200 N (45 lb), 500 N (112 lb), 1 KN (225 lb), 2 KN (450 lb), 5 KN (1,124 lb), 10 KN (2,248 lb)



Capacity	1,2,5,5,10,20,50,100,200, 300,500N
Sensitivity	2.0 ± 10% mV/V
Zero balance	± 0.02 mV/V
Non-linearity	0.05% F.S.
Hysteresis	0.05% F.S.
Repeatability	0.05% F.S.
Creep(30min)	0.05% F.S.
Temp.effect on output	0.05% F.S./10°C
Temp.effect on zero	0.05% F.S./10°C
Input impedance	350 ± 30 Ω
Output impedance	350 ± 5 Ω
Insulation	≥ 5000M Ω/100VDC
Recommended excitation	5V
Maximum excitation Voltage	15V
Compensated temp range	-10~60°C
Operating temperature range	-20~80°C
Safe load limit	150% F.S.
Breaking load	300% F.S.
Cable size	φ 2 × 4000mm
Weight approx.	0.1kg
Material	Stainless Steel
IP Class	IP66

