



Manufactured according to OIML R60 standards

Capacity from 500 kg to 200000 kg



- 17-4 PH STAINLESS STEEL
- BIDIRECTIONAL TENSION AND COMPRESSION
- COMBINED ERROR $\leq \pm 0.05\%$
- PROTECTION CLASS: IP68 (500 - 60000 kg) - IP67 (100000 - 200000 kg)

CAPACITY	kg	IECEx	Ex	EAC Ex	EAC	NET WEIGHT (kg)	CODE
500		•	•	•		1.2	CL500
1000		•	•	•		1.2	CL1000
2000		•	•	•		1.2	CL2000
5000		•	•	•		1.7	CL5000
10000		•	•	•		1.8	CL10000
20000		•	•	•		4.8	CL20000
30000		•	•	•		5.3	CL30000
60000		•	•	•		5.4	CL60000
100000		•	•	•		12	CL100000
150000		•	•	•		-	CL150000
200000		•	•	•		-	CL200000

ON REQUEST

CERTIFICATIONS

EAC Complies with the Eurasian Custom Union standards

CERTIFICATIONS ON REQUEST

✓ Accredia traceable calibration report

Ex ATEX II 1GD (zone 0-1-2-20-21-22)

IECEx (zone 0-1-2-20-21-22)

EAC Ex Complies with the Eurasian Custom Union standards for use in potentially explosive atmospheres

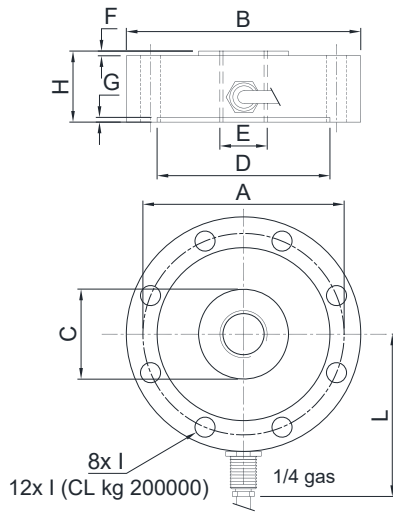
OPTIONS ON REQUEST

DESCRIPTION



Two redundant strain gauges Wheatstone bridges (350 Ω) with two output cables; for dual safety systems.

DIMENSIONS (mm)



	kg 500 kg 1000 kg 2000	kg 5000 kg 10000	kg 20000 kg 30000 kg 60000	kg 100000	kg 150000	kg 200000
A	Ø 85	Ø 94	Ø 136	Ø 175	Ø 213	Ø 254
B	Ø 99	Ø 109	Ø 164	Ø 219	Ø 249	Ø 299
C	Ø 31	Ø 38	Ø 70	Ø 88	Ø 140	Ø 170
D	Ø 72	Ø 78	Ø 113	Ø 135	Ø 176	Ø 210
E	M20 x 1.5	M24 x 2	M48 x 3	M64 x 4	M72 x 4	M90 x 6
F	2	2	5	5	5	5
G	1.5	1.5	2	3	3	3
H	30	35	50	70	70	80
I	Ø 8.5	Ø 8.5	Ø 16.5	Ø 26	Ø 26	Ø 26
L	68.5	73.5	101	128.5	143.5	168.5
Weight	1.1	1.4	5	11	16	26



TECHNICAL FEATURES

Material	17-4 PH stainless steel		
Nominal load (E max)	500 - 1000 - 2000 - 5000 - 10000 - 20000 - 30000 - 60000 - 100000 - 150000 - 200000 kg		
Combined error	≤ ±0.05%		
Protection class	IP68 (500 - 60000 kg), IP67 (100000 - 200000 kg)		
Rated output	2 mV/V ±0.3%	Input resistance	700 Ω ±20
Temperature effect on zero	0.005% °C	Output resistance	700 Ω ±5
Temperature effect on span	0.005% °C	Zero balance	±1%
Compensated temperature range	-10 °C / +50 °C	Insulation resistance	>5000 MΩ
Operating temperature range	-20 °C / +70 °C	Safe overload (% of full scale)	150%
Creep at nominal load in 30 minutes	0.3%	Ultimate overload (% of full scale)	300%
Max supply voltage without damage	15 V	Deflection at nominal load	0.3 mm

ELECTRICAL CONNECTIONS

Cable length	5 m
Cable diameter	5 mm
Cores	6 x 0.14 mm ²

